

# HYGIEMAG - Magnetic Non Contact - Type SMR

Magnetic Actuation - Power series

Medium Duty versions

230V.ac / 24V.dc 1A.

Switching Tolerance up to 12mm

Specified to 105C. but designed to work up to 125C.

Will operate with most EN 954-1 Cat.4 Safety Relays



Robust Stainless Steel 316 enclosure designed to survive the tough environments of Food and Pharmaceutical applications.

Survives high pressure hosing at high temperature.

High temperature specification 105C.

Wide 12mm sensing - high tolerance to misalignment.

Universal fitting - established 22mm fixing footprint suitable for most general applications.

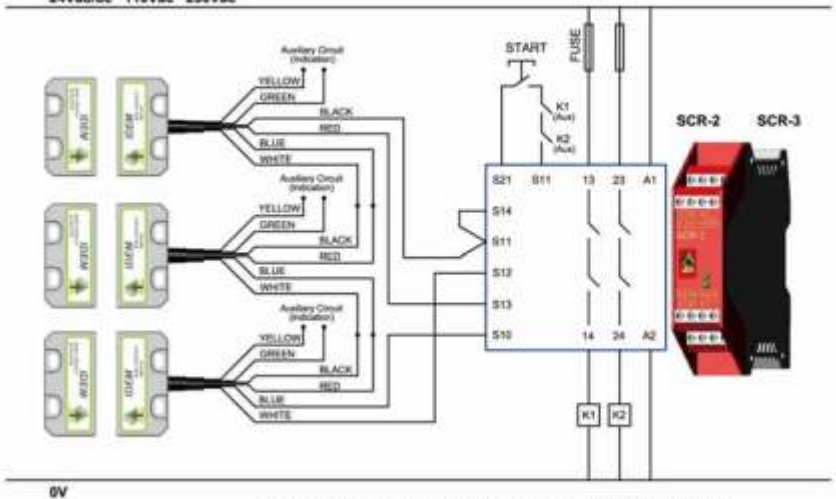
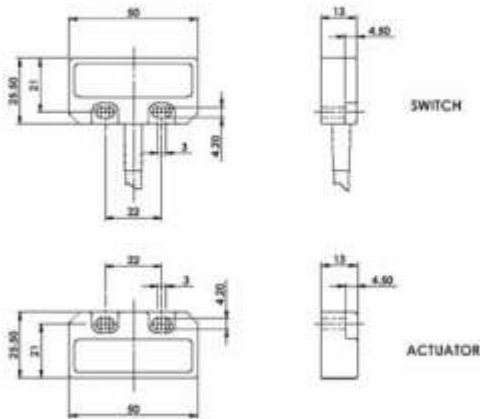
Long life high switching capability to 1A.

Up to EN 954-1 Cat.4 with safety relay or Cat.1 standalone.



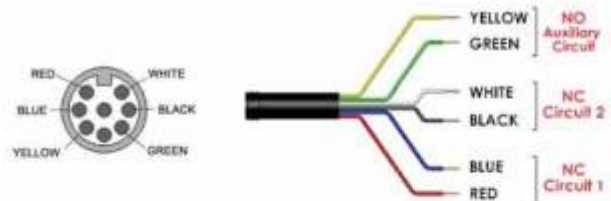
## Application example – magnetic switches

24Vdc/6 110Vac 230Vac



Three switches connected in series to an SCR-2 or SCR-3 to give Dual Channel monitoring with manual start and contactor feedback check. Optional auxiliary circuits provide for remote signalling from each switch.

Standards	EN1088 IEC 947-5-3 EN 60204-1 EN 954-1 UL508
Safety Channel 1	NC Voltage free : 250V.ac 1.0 A Max. Rating
Safety Channel 2	NC Voltage free : 250V.ac 1.0 A Max. Rating
Safety Channel 3	NO Voltage free : 24V.dc 0.2 A Max. Rating
Fuse	Internal 1.0 A. (F) External 0.8A (F)
Contact release time	<2ms
Initial contact resistance	<500 milliohm
Minimum switched current	10V. dc 1mA
Dielectric withstand	250V.ac
Insulation Resistance	100 Mohms
Recommended setting gap	5mm
Switching Distance:	Sac 10mm Close
(Target to target)	Sar 22mm Open
Tolerance to misalignment	5mm in any direction from 5mm setting gap
Switching frequency	1.0 Hz maximum
Approach speed	200mm/m. to 1000mm/s.
Body Material	Stainless Steel 316
Temperature Range	-25 / 105C.
Enclosure Protection	IP67
Shock Resistance	IEC 68-2-27 11ms 30g
Vibration Resistance	IEC 68-2-6 10-55 Hz. 1mm
Mechanical Life Expectancy	10,000,000 switchings
Electrical Life Expectancy	1,000,000 switchings
De-rating	Safety Factor 2
Tested to	2,000,000 cycles at 24V. 0.2A.
Cable Type	PVC 6 or 8 core 6mm O.D.
Mounting Bolts	2 x M4 Tightening torque 1.0 Nm
Mounting Position	Any



Sales Number	Type	Cable Length	Circuits
139009	Hygiemag SMR	2M	2NC
139010	Hygiemag SMR	5M	2NC
139011	Hygiemag SMR	10M	2NC
139012	Hygiemag SMR	QC-M12	2NC
139013	Hygiemag SMR	2M	2NC 1NO
130914	Hygiemag SMR	5M	2NC 1NO
139015	Hygiemag SMR	10M	2NC 1NO
139016	Hygiemag SMR	QC-M12	2NC 1NO