

IDEMAG - Magnetic Non Contact - Type MPR



Magnetic Actuation Switching Tolerance up to 12mm

Specified to 80°

Will operate with most EN 954-1 Cat.4 Safety Relays

but designed to work up to 100°

Plastic Housing

Compact yet robust fitting suitable for all small guard applications.

Can be mounted unobtrusively in channels or behind doors – left or right cable exit

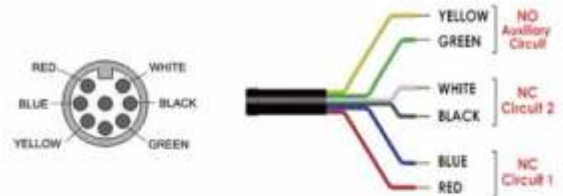
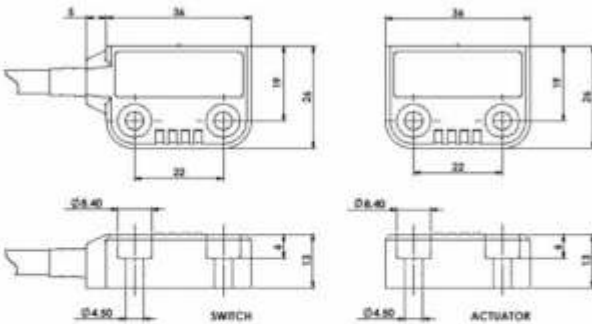
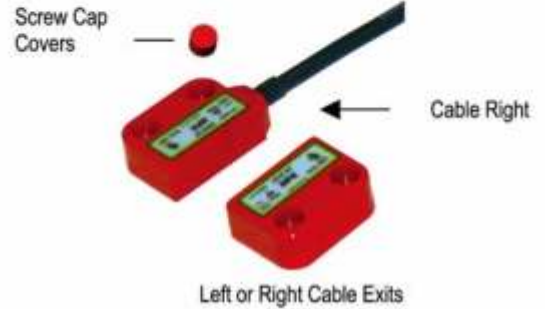
Hygienic screw cap covers ensure suitability for Food Processing washdown.

Cost effective interlock solution.

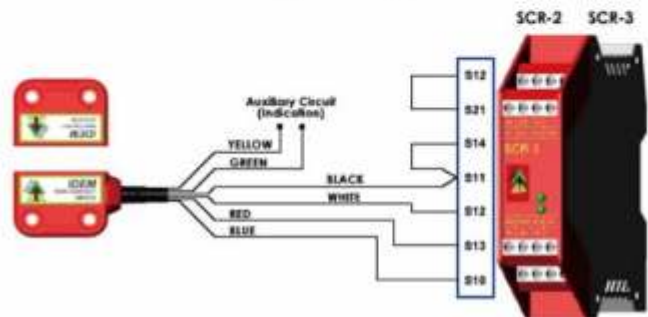
Wide sensing at 12mm and high tolerance to misalignment.

High current switching capability to 0.5A.

2NC 1NO circuits - up to EN 954-1 Cat.4 with Safety Relay.



Connection example – magnetic switches



Single switch connected to an SCR-2 or SCR-3 to give Dual Channel monitoring with Automatic Start. Optional auxiliary circuit provides for remote signalling from switch.

Standards	EN1088 IEC 947-5-3 EN 60204-1
	EN 954-1 UL508
Safety Channel 1	NC 24V.dc 0.5 A Max. Rating Fused 1A.
Safety Channel 2	NC 24V.dc 0.5 A Max. Rating Fused 1A.
Safety Channel 3	NO 24V.dc 0.2 A Max. Rating
Fuses	Internal 1.0 A. (F) External 0.8A (F) (User)
Contact release time	<2ms
Initial contact resistance	<500 milliohm
Minimum switched current	10V. dc 10mA
Insulation Resistance	100 Mohms
Dielectric withstand	250V.ac
Recommended setting gap	5mm
Switching Distance:	Sao 12mm Close
(Target to target)	Sar 20mm Open
Tolerance to misalignment	5mm in any direction from 5mm setting
Switching frequency	1.0 Hz maximum
Approach speed	200mm/m, to 1000mm/s.
Body Material	Black Polyester
Temperature Range	-25 / 80C.
Enclosure Protection	IP67
Shock Resistance	IEC 68-2-27 11ms 30g
Vibration Resistance	IEC 68-2-6 10-55 Hz. 1mm
Mechanical Life Expectancy	10,000,000 switchings
Electrical Life Expectancy	1,000,000 switchings
	De-rating Safety Factor 2
	Tested to 2,000,000 cycles at 24V. 0.2A.
Cable Type	PVC 6 core 6mm O.D.
Mounting Bolts	2 x M4 recommended
	Tightening torque 0.8Nm
Mounting Position	Any

Sales Number	Type	Cable Length	Circuits
114001	MPR Cable Right	2M	2NC
114002	MPR Cable Right	5M	2NC
114003	MPR Cable Right	10M	2NC
114004	MPR Cable Right	QC-M12*	2NC
114005	MPR Cable Right	2M	2NC 1NO
114006	MPR Cable Right	5M	2NC 1NO
114007	MPR Cable Right	10M	2NC 1NO
114008	MPR Cable Right	QC-M12*	2NC 1NO
114009	MPR Cable Left	2M	2NC
114010	MPR Cable Left	5M	2NC
114011	MPR Cable Left	10M	2NC
114012	MPR Cable Left	QC-M12*	2NC
114013	MPR Cable Left	2M	2NC 1NO
114014	MPR Cable Left	5M	2NC 1NO
114015	MPR Cable Left	10M	2NC 1NO
114016	MPR Cable Left	QC-M12*	2NC 1NO

*Other QC sizes available on request