

# IDECODE - Coded Non Contact - Type SPC

**Coded Magnetic Actuation**

**Switching Tolerance up to 14mm**

**Specified to 80°**

Will operate with most EN 954-1 Cat.4 Safety Relays

**but designed to work up to 100°**

**Plastic Housing**

Universal fitting - established 22mm fixing footprint suitable for most general applications.

Withstands environments where high humidity or hose down is required.

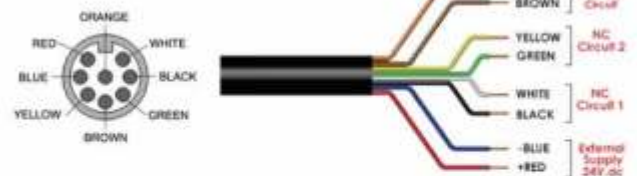
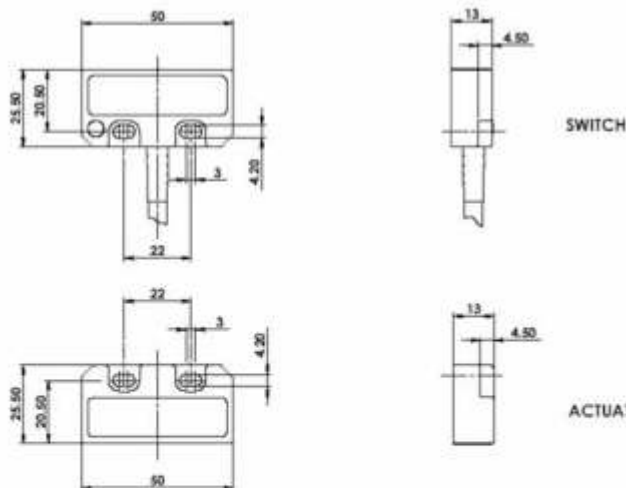
Durable polyester housing.

Wide 14mm sensing and high tolerance to misalignment.

Up to EN 954-1 Cat.4 with safety relay.

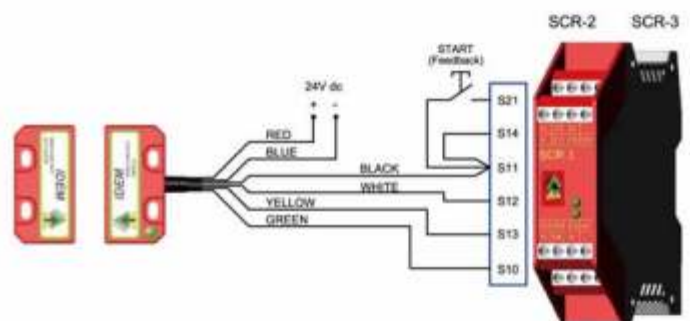
2NC 1NO circuits.

Quick connect versions.



## Connection example – coded switches

Standards	EN1088	IEC 947-5-3	EN 60204-1
	EN 954-1	UL508	
Safety Channel 1	NC	24V dc 0.2 A	Max. Rating
Safety Channel 2	NC	24V dc 0.2 A	Max. Rating
Safety Channel 3	NO	24V dc 0.2 A	Max. Rating
Power supply		24V dc +/- 15%	Max. Consumption 50mA
Minimum switched current		10V dc 10mA	
Insulation Resistance		100 Mohms	
Dielectric withstand		250V ac	
Recommended setting gap		5mm	
Switching Distance:		Sao 10mm Close	
(Target to target)		Sar 20mm Open	
Tolerance to misalignment		5mm in any direction from 5mm setting gap	
Switching frequency		1.0 Hz maximum	
Approach speed		200mm/m. to 1000mm/s.	
Body Material		Polyester	
Temperature Range		-25 / 80C.	
Enclosure Protection		IP67	
Shock Resistance		IEC 68-2-27 11ms 30g	
Vibration Resistance		IEC 68-2-6 10-55 Hz. 1mm	
Mechanical Life Expectancy		10,000,000 switchings	
Electrical Life Expectancy		1,000,000 switchings	
De-rating		Safety Factor 2	
		Tested to 2,000,000 cycles at 24V. 0.2A.	
Cable Type		PVC 6 core 6mm O.D. for 2NC	
		8 core 6mm O.D. for 2NC 1NO	
Mounting Bolts		2 x M4 recommended	
		Tightening torque 0.8Nm	
Mounting Position		Any	



Single switch connected to an SCR-2 or SCR-3 to give Dual Channel monitoring with Manual Start.

Sales Number	Type	Cable Length	Circuits
111001	Idecode SPC	2M	2NC
111002	Idecode SPC	5M	2NC
111003	Idecode SPC	10M	2NC
111004	Idecode SPC	QC-M12	2NC
111005	Idecode SPC	2M	2NC 1NO
111006	Idecode SPC	5M	2NC 1NO
111007	Idecode SPC	10M	2NC 1NO
111008	Idecode SPC	QC-M12	2NC 1NO