

Tongue Interlock Safety Switch – Type IDIS-1

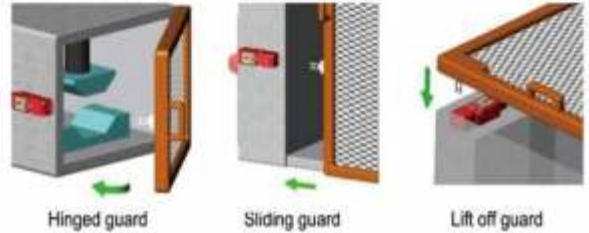


IDIS-1 Compact Safety Interlock switches are designed to provide robust position interlock detection for moving guards.

They are designed to fit to the leading edge of sliding, hinge or lift off machine guards.

Features:

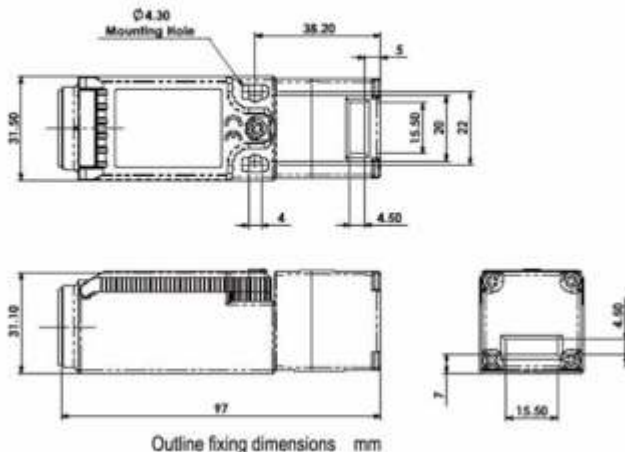
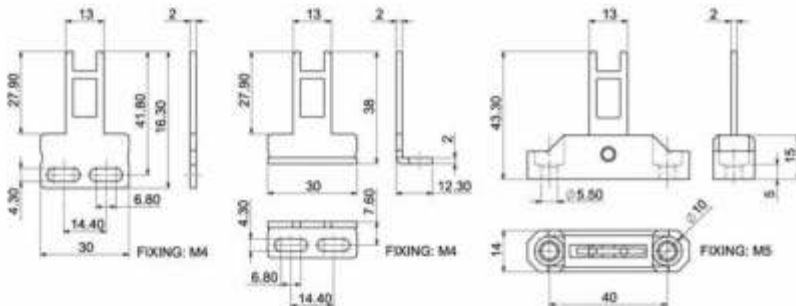
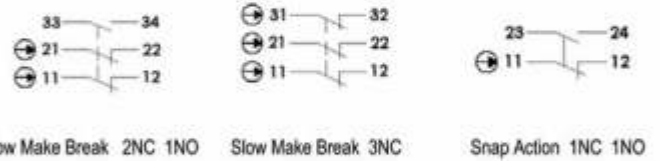
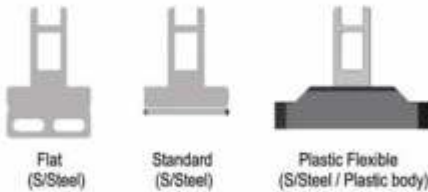
- Positive opening safety contacts to IEC 947-5-1
- Compact version – fits on 22mm hole centres EN 50047 body
- Head position adjustment to give 8 actuator entry positions
- High Mechanical Life 1,000,000 cycles
- Enclosure Protected to IP 66/67 - washdown suitable
- Conduit entries: M20 ½" NPT or Quick connect



The rugged Stainless Steel actuator profile is designed to match a cam mechanism to provide a positively operated not easily defeatable interlock mechanism.

Contact blocks are replaceable with optional slow or snap break operation.

Actuator options



- Conforming to standard EN50047, EN1088, IEC 947-5-1, UL508
- Utilization Category AC15 A300
- Thermal Current (Ith) 10A
- Rated Insulation Voltage 300VAC
- Rated Impulse Withstand Volt 2500VAC
- Insulation Resistance 100MΩmin.(DC500V)
- Contact Resistance 25mΩmax. (initial)
- Travel for Positive Opening 6mm
- Man. Actuation Frequency 2 cycle/sec
- Case Material UL approved glass-filled polyester
- Actuator Material Stainless steel
- Enclosure Protection IP67
- Operating Temperature -25°C to 80°C
- Pollution Degree 3
- Mechanical Life Expectancy 1 x 10⁶ Cycle min.
- Vibration IEC 68-2-6, 10-55Hz+1Hz, Excursion: 0.35mm, 1 octave/min
- Conduit Entry Various (See Sales Part Numbers)
- Fixing 2 x M4

Sales Number				
	Contacts	M20	½"NPT	QC
Angled Actuator	2NC 1NO	190001	190002	190003
Flat Actuator	2NC 1NO	190004	190005	190006
Plastic Flex.Actuator	2NC 1NO	190019	190020	190021
Angled Actuator	3NC	190007	190008	190009
Flat Actuator	3NC	190010	190011	190012
Plastic Flex.Actuator	3NC	190022	190023	190024
Angled Actuator	1NC 1NO Snap	190013	190014	190015
Flat Actuator	1NC 1NO Snap	190016	190017	190018
Plastic Flex.Actuator	1NC 1NO Snap	190025	190026	190027